

Product Specification Sheet

Accent LED Beamshaper



The Selecon Accent LED Beamshaper is a world class framing projector, delivering accurate shaping of the beam for display, art gallery and museum lighting applications.

A sophisticated lighting instrument of timeless appearance.

The Accent LED BeamShaper delivers on Selecon's brand promise for performance (efficient optical system; high quality pattern projections); precision (accurate beam shaping; locking focus adjustments) and simplicity (intuitive operation).

Allen key lock offs and reference scales for all adjustments offers the means to effectively assure the integrity of the original lighting design.

Features

- High quality zoom optical system (24° - 39°).
- High CRI fixed white delivers excellent colour rendering.
- Improved beam control and zoom adjustment.
- Reference scales for pan/tilt and zoom adjustments.
- Improved gobo installation and projection.
- Easy mount E size pattern holder included with every luminaire.
- Superior glare control and no light spill.
- Four captive shaping shutters with integrated shutter lock system.
- Hinged opening body for easy cleaning of lenses.
- Multiple/integrated accessory and filter mounting slots – to carry colour filter 50mm round, one of which can be up to 4mm thick..
- Engineered from precision aluminium pressure die-castings and injection moulded engineering plastic.
- Three year limited warranty.

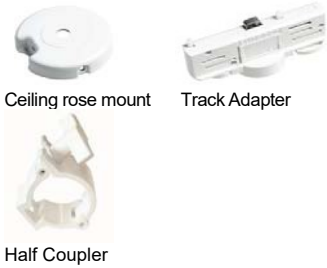
Colours



White - PANTONE® 11-4800 - Blanc de Blanc.

Mounting options

- Universal track three circuit track adapter, Eutrac and Global. DALI Track Options.
- Ceiling rose mount, ridged 80mm diameter x 20mm deep.
- Half Coupler for 50mm OD pipe, 1.0m cable tail, with or without ANZ plug.



Control Options

- Local Dimming – non dimmed mains supply.
- Dali Dimming – non dimmed mains supply.
- Casambi Dimming Control.
- Dimming performance of LED Sources can vary greatly on different dimming systems. 100% compatibility cannot be guaranteed.

Wattage / Power Supply

13W / 220-240V

Colour Temperature / Life¹

Choice of 2700K, 3000K, or 4000K / 50,000hrs

CRI² / Colour Consistency

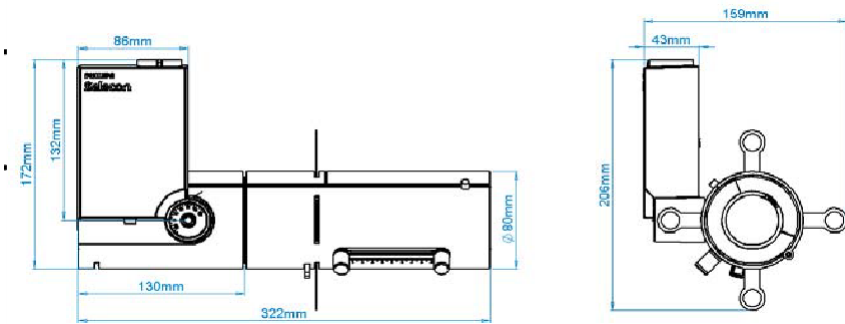
95 typical, Within 2-Step MacAdam Ellipse

Approvals



Physical Data

Weight: 1.95 kg



Order Codes

2 – 2700K
3 – 3000K
4 – 4000K

Family Name	Light Source	Colour Temp	Beam Angle	Control Option	Mounting Option	Paint Finish	Aust/NZ Plug
ACNT	LED	2	BS	DD*	H	01	P
		3		LD	C	03	
		4			T		
				CA	G		
					E		
					F		

LD – Local Dim – non-dimmed mains input

DD – Dali Dim – non-dimmed mains input (*not available with Ceiling Rose, Half Coupler, or Flex mount*)

CA - CASAMBI Dimming Control

H – 50mm Halfcoupler and 1.0m cable

C – Ceiling Rose

G – Global track adaptor – standard option for track mount. Dali or local control

T – Eutrack adaptor – non-standard option for track mount. Dali or local control.

E – eDali Track adaptor – custom adaptor for three circuit track – for installations using Dali on standard track. Please contact your sales representative.

01 – White

03 – Black

P – Aust / NZ plug

IE: ACNTLED4BSLDG03 = Accent LED Beamshaper, 4000K, Local Dimming, Global Track Adaptor, Black Finish.

* **DALI Dimming version only available with Track adaptor Mounting (T,G,E)**

Accessories

Various glass effects and coloured glass can be used with the Accent LED Beamshaper. Please contact your Selecon dealer for full details.

Pattern size: E

Outside diameter: 37.5cm

Image area: 28mm

To achieve the best results with your pattern projection:

- always use black matt finish patterns as these reduce internal light reflections.
- for custom / text logos please ensure the design is inside the 28mm diameter area.

1. Based on LED Manufacturers IES LM-80-2008

2. LED manufacturer tolerance of +2 on CRI measurements

Selecon reserves the right to change this product specification without notice (October 2020).