

Product Specification Sheet

Accent LED BeamSpot



The Selecon Accent LED Beamspot is a specialist lighting tool for display, art gallery, museum and commercial lighting applications.

Utilising high quality fixed white LED sources, the luminaire provides excellent light control and features.

With several accessories available, and a choice of beam angles and colour temperatures, the Accent LED retains the versatility that made the Aureol Beamspot a global industry standard for display lighting applications.

The Accent Beamspot delivers on Selecon's brand promise for performance (efficient optical system), precision (accurate beam shaping, locking focus adjustments), and simplicity (intuitive operation).

Features

LED-Three fixed optical systems: 26°, 34°, and 42°.

High CRI fixed white delivers excellent colour rendering.

Hinged opening body for easy cleaning and tool free accessory mounting.

Superior glare control and no light spill.

Multiple accessory slots with safety retention system.

Engineered from aluminium pressure die castings and injected moulded engineering plastic.

Positive pan and tilt adjustment, with Allen key lock off.

Reference scales for pan/tilt adjustments.

Integrated accessory and filter mounting slots – to carry colour filter 50mm round, one of which can be up to 4mm thick, diffuser ,anti-glare snoot, or bam-door.

Three year limited warranty.

Colours



Black

White

White - PANTONE® 11-4800 - Blanc de Blanc.

Mounting Options

Universal track three circuit track adapter, Global or Eutrac. DALI Track Options.

Ceiling rose mount, ridged 80mm diameter x 20mm deep.

Half coupler with 1.0m cable tail, with or without ANZ plug.



Ceiling rose mount



Track adapter



Half Coupler

Control Options

- Local Dimming – non dimmed mains supply.
- Dali Dimming – non dimmed mains supply.
- CASAMBI Dimming Control.
- Dimming performance of LED Sources can vary greatly on different dimming systems. 100% compatibility cannot be guaranteed.

Wattage / Power Supply
13W / 220-240V

Colour Temperature / Life¹
Choice of 2700K, 3000K, or 4000K / 50,000hrs

CRI² / Colour Consistency
95 typical, Within 2-Step MacAdam Ellipse

Approvals



Order Codes

2 – 2700K

3 – 3000K

4 – 4000K

2 – 26 Degree

3 - 34 Degree

4 – 42 Degree

LD – Local Dim – non-dimmed mains input

DD – Dali Dim – non-dimmed mains input *(not available with Ceiling Rose, Half Coupler, or Flex mount)*

CA - CASAMBI Dimming Control

H – 50mm Halfcoupler and 1.0m cable

C – Ceiling Rose

G – Global track adaptor – standard option for track mount. Dali or local control

T – Eutrack adaptor – non-standard option for track mount. Dali or local control.

E – eDali Track adaptor – custom adaptor for three circuit track – for installations using Dali on standard track. Please contact your sales representative.

01 – White

03 – Black

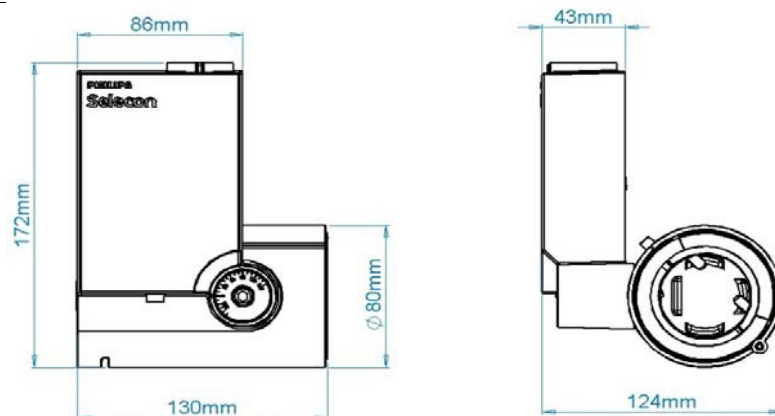
P – Aust / NZ plug

Family Name	Light Source	Colour Temp	Beam Angle	Control Option	Mounting Option	Paint Finish	Aust/NZ Plug
ACNT	LED	2	2	LD	H	01	P
		3	3	CA	C	03	
		4	4	DD	T		
					G		
					E		
					F		

IE: ACNTLED34DDG01 = Accent LED 3000K 42° Spot, Dali Dimming, Global Tack Adaptor , White Finish

Physical Data

Weight: 1.1kg



Accessories

Barndoor
Snoot

ARLBD****
ARLSN****01 for White, 03 for Black, 0103 for Black/White

1. Based on LED Manufacturers IES LM-80-2008
2. LED manufacturer tolerance of +2 on CRI measurements

Selecon reserves the right to change this product specification without notice (October 2020).